

brand	PARTNER
-------	----------------

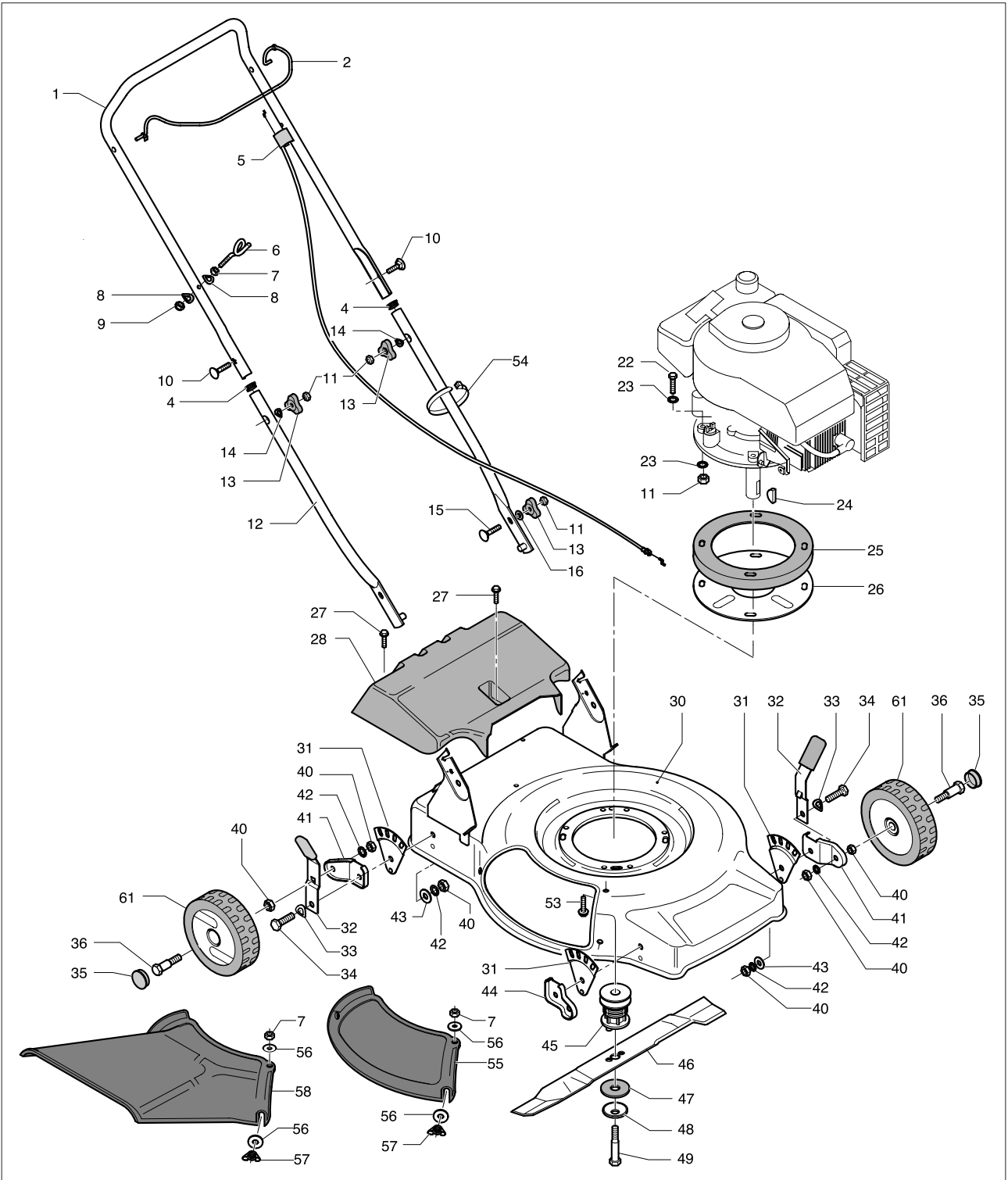
date	MAR/04	SHEET 1/2
------	--------	-----------

Model

P 3550 SBio

Product number

953878129



brand **PARTNER**

date **MAR-04** SHEET **02/02**

Model

P 3550 S BIO

Product number

953878129

Pos.	PN ELX	DESCRIPTION	Q.ty
1	531205203	UPPER HANDLE	1
2	531205168	LEVER	1
4	531208950	PLUG	2
5	531206026	CABLE	1
6	531205169	CABLE HOOK	1
7	531207165	NUT	2
8	531204961	WASHER	2
9	531208491	NUT	1
10	531207089	SCREW	2
11	531207982	NUT	7
12	531206071	HANDLE LOWER	2
13	531204923	KNOP	4
14	531207090	WASHER	2
15	531204921	SCREW	2
16	531204922	WASHER	2
22	531207107	SCREW	3
23	531207981	WASHER	6
24	531204907	KEY	1
25	531207369	RING	1
26	531207111	HOUSING	1
27	531207120	SCREW	3
28	531206227	HOUSING	1
30	531211029	DECK	1
31	531205925	SUPPORT	4
32	531204913	LEVER	4
33	531206643	WASHER	4

Pos.	PN ELX	DESCRIPTION	Q.ty
34	531204912	SCREW	4
35	531210538	PLUG	4
36	531205042	SCREW	4
40	531207978	NUT	10
41	531204914	SUPPORT	2
42	531208974	WASHER	4
43	531207989	WASHER	4
44	531204915	SUPPORT	2
45	531207848	SUPPORT	1
46	531206546	BLADE	1
47	531207243	WASHER	1
48	531207237	WASHER	1
49	531206649	SCREW	1
53	531208053	SCREW	3
54	531205581	CLAMP	2
55	531206237	COVER	1
56	531205377	WASHER	3
57	531206263	NUT	2
58	531206238	DEFLECTOR	1
61	531205029	WHEEL	4